

PRODUCT DATA SHEET

Part number	315304SW
EAN	4015609341290
Manufacturer	WALTHER-WERKE
WEEE-Reg.-Number:	DE 22131895

Product description

Coupler 16A 3P 4h with internal grommet for lighting and stage technology



Similar image

Detailed product description

WALTHER Coupler 16A 3P 110V 4h IP44
 made from PA6 material
 in black
 for lighting and stage technology
 with screw terminal
 with internal grommet
 and an injected 2K seal
 Increased safety due to two contact screws.

Ordering Information

Order unit	Piece
Customs number	85366990
Net weight	0,14 kg
Packing quantity (VPE)	10
Length of the packaging	0,31 m
Width of the packaging	0,195 m
Depth of the packaging	0,14 m
Gross weight(VPE)	1,548 kg

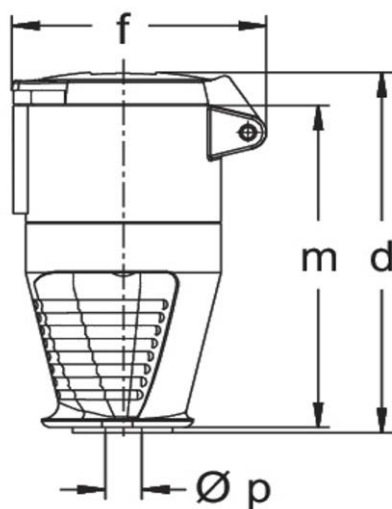
Classification system

Classification system	ETIM_6.0
ETIM Class	EC001320

Technical product data

IEC-amperage	16 A
Amperage acc. UL/CSA (for UL-version)	20 A
Number of poles	3
Voltage acc. EN 60309-2	110 V (50+60 Hz) yellow
Clock hour position	4 h
Identification colour	Yellow
Degree of protection (IP)	IP44
Connection system	Screwed terminal
Angle of plug	Straight
Cable entry	Anti-kink sleeve
Material	Plastic

Dimension sheet



Amp.	16
Pole	3
d	121
$\varnothing e$	51
f	68
m	108
$\varnothing p$	8/15